



## RoCon G1 Gateway Central Control Unit



**EHS157056**

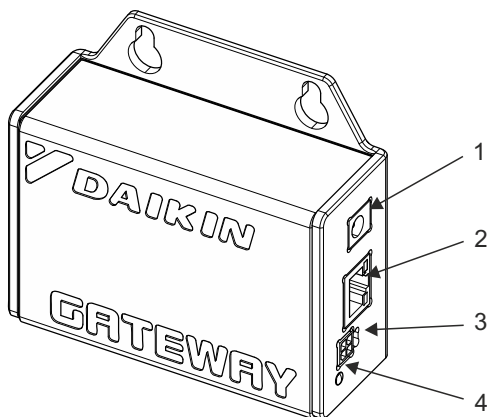
## Intended use

- The installation of RoCon G1 Gateway must always be carried out by professional staff who are trained in the installation and commissioning of electrical devices.
- Only operate the device in interior spaces and avoid the influence of humidity, dust as well as insulation and heat radiation. Any other use which is not described in this installation manual is not an intended use and leads to the exclusion of warranty and liability. This also applies to conversions and alterations. The device is exclusively intended for private use.

## Scope of delivery

RoCon G1 Gateway	Central Control Unit
Power supply unit Gateway	5V
Mains cable	Mains cable RoCon control
Documentation	Brief installation guide

## Gateway connections

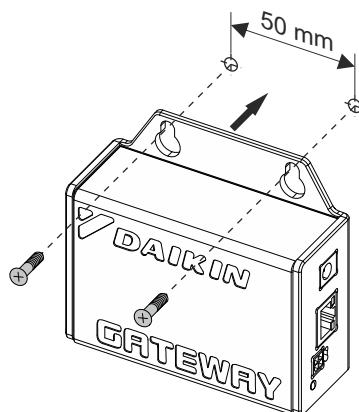


- 1 Connection of power supply unit
- 2 LAN network Connection
- 3 bus connection for RoCon control
- 4 Status LED

Picture 1: Connections RoCon G1

## Assembly and commissioning

RoCon G1 Gateway can be mounted to the wall or operating in an upright position. For wall mounting use the corresponding holding brackets on the casing.



Picture 2: Wall mounting

The following sequence must be adhered to during set-up and commissioning:

**Connection to RoCon control**

During the connection to the RoCon control the Gateway should be switched off. Insert the bus cable supplied into the corresponding bushing on the side of the Gateway and set up the connection to the RoCon control (see image 3).

**Connection to network via LAN**

Connect the RoCon G1 Gateway with a router. Insert the network cable into the corresponding specific LAN bushing of the Gateway and a free network socket at the installation site. If there is no LAN network available, often a connection to the router can be established using a power LAN adapter. In this case contact a company specialising in network installation.



- We recommend a broadband internet connection with a flat data rate because the amount of data may be up to 2 GB per month.
- For the commissioning of the RoCon G1 Gateway, DHCP must be activated on the Router.

**Power supply connection**

The power supply of the RoCon G1 Gateway takes place through the wall plug transformer. To avoid damage to the device please only use the originally supplied power supply unit.

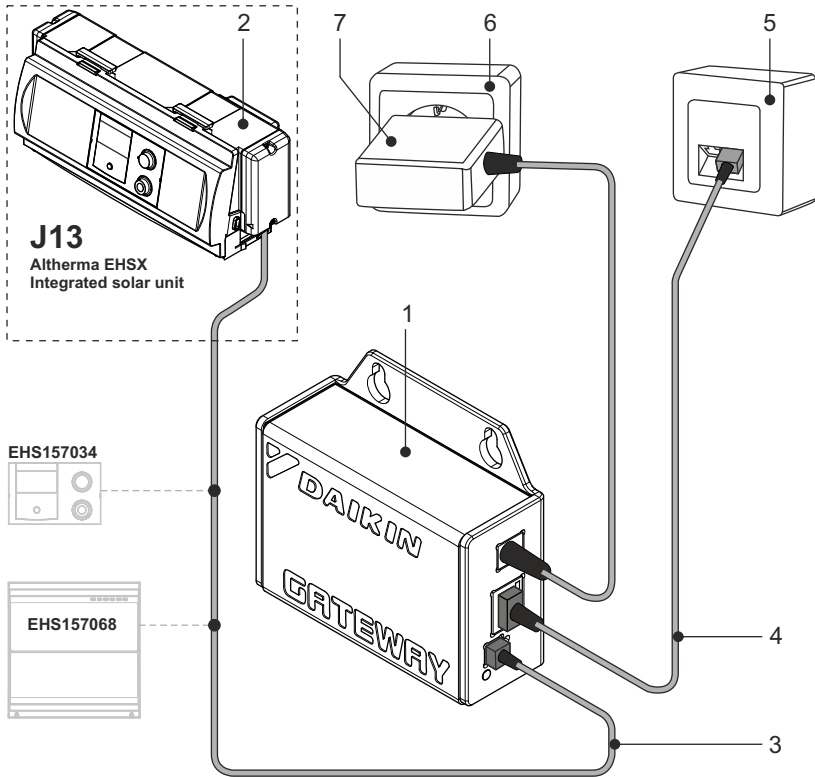
The initial start-up of the Gateway may take a few minutes. About 30 seconds after connecting the RoCon G1 to the power supply the LED on the side of the casing lights up in green.

**Status LED colours**

Colour	Meaning	
Permanently green	Device ok, all connections established.	-
Blinking blue	No connection to RoCon control established.	Please check the connection between control and Gateway.
Blinking yellow	No internet connection possible.	Please check whether the power cable is correctly connected to the router that supports the DHCP.
Red blinking	No connection possible to the server.	The ROTEX Cloud Server is currently not available. Please contact the ROTEX customer service if this condition persists for more than one hour.

**Further steps**

To use the Gateway, you require a ROTEX Cloud Service Account which is free of charge. Please register on <http://www.rotex-control.com>. On this website you can then connect the Gateway with the account and use it online or with a smartphone app.



- |                                  |                            |
|----------------------------------|----------------------------|
| 1 Gateway                        | 5 Network socket           |
| 2 RoCon control                  | 6 Contactor contact socket |
| 3 Connection cable RoCon control | 7 Power supply unit        |
| 4 Network cable                  |                            |

Picture 3: Connection scheme RoCon G1